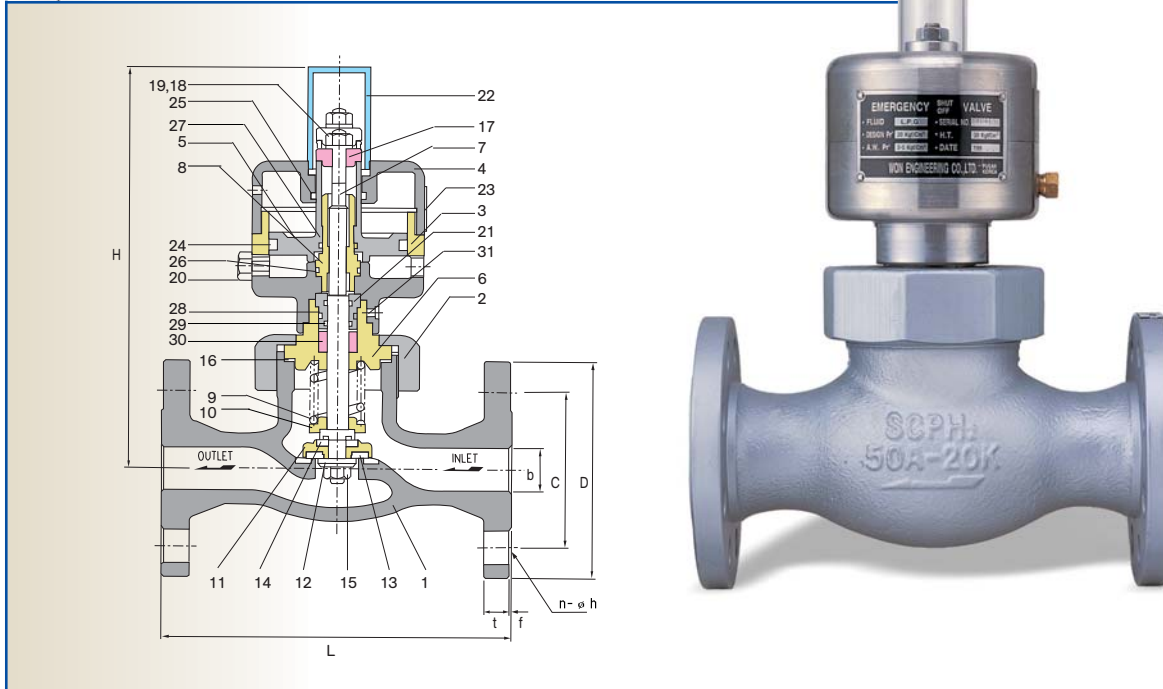


MS ENG. 20KG/CM² EMERGENCY SHUT-OFF VALVE

MODEL NO:WEV-4121(L.P.G), WEV-4221(NH₃)



MATERIAL

NO.	PART NAME	MATERIAL	NO.	PART NAME	MATERIAL
1	BODY	SCPH2	17	WASHER	STS 304
2	GLAND NUT	SCPH2	18	SPRING WASHER	STS 304
3	CYLINDER	SCS13A	19	NUT	STS 304
4	CYLINDER CAP	SCS13A	20	FUSE METAL	C3604B/Pb
5	PISTON	C3604B	21	BUSH	C3604B
6	BONNET	S45C	22	CAP	P.V.C
7	SPINDLE	STS 304	23	NAME PLATE	STS 304
8	BUSH DISK	C3604B	24	O-RING	N.B.R
9	SPRING	STS 304	25	O-RING	N.B.R
10	SPRING DISK	STS 304	26	O-RING	N.B.R
11	VALVE DISK	STS 304	27	O-RING	N.B.R
12	WASHER	STS 304	28	O-RING	VITON
13	VALVE SEAT	P.T.F.E	29	O-RING	VITON
14	BACK SEAT	P.T.F.E	30	PACKING	P.T.F.E
15	NYLON NUT	STS 304	31	SET SCREW	STS 304
16	GASKET	ASBESTOS			

SPECIFICATION

- Application : It is operated by air pressure when emergency situation happens.
- Hydrostatic test pressure : 2.94MPa
- Pneumatic test pressure : 1.96MPa
- Pneumatic cylinder working pressure : 0.29 ~ 0.49MPa
- Pneumatic connector : PT 1/4"
- Melting temperature of fuse metal : 75°C
- Fluid : L.P.G, NG, NH₃

DIMENSION

unit : mm

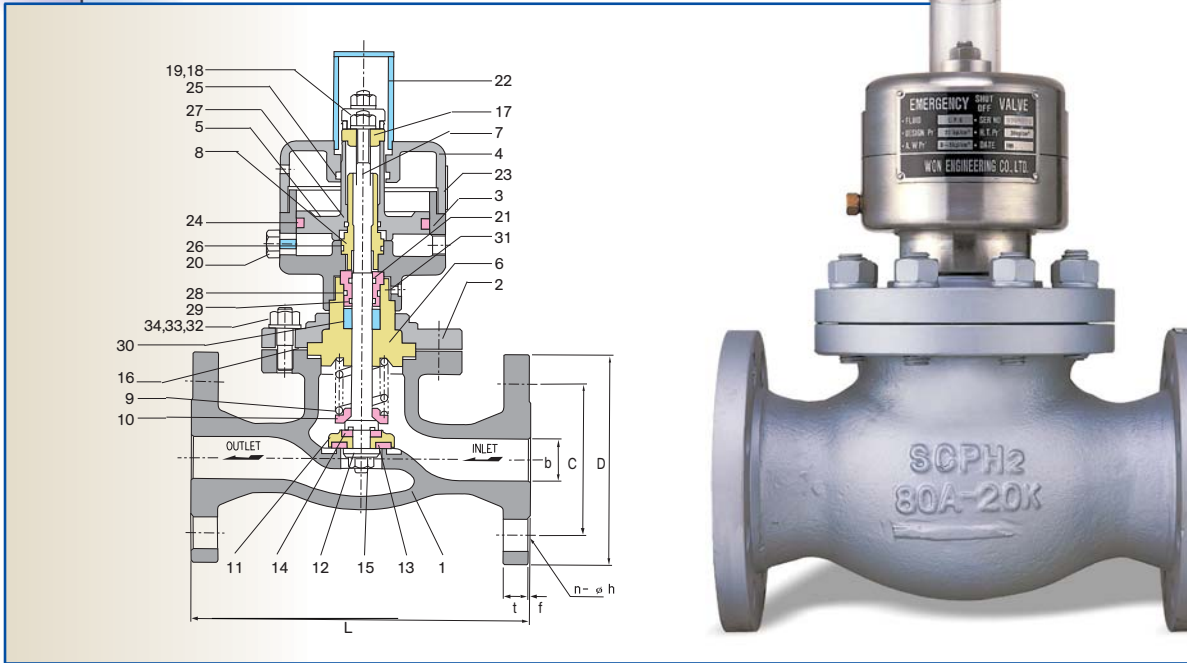
SIZE	H	L	d	C	D	t	f	n-øh
25A	225	203	25	90	125	15	1	4-19
50A	275	267	50	120	155	16	2	8-19

※ Remark 1. Material is to be changed in case of NH₃
2. Please contact us when applying for other gases

※ 참고 1. 암모니아용일 경우 일부 재질을 변경함
2. 다른 가스 용도로 사용할 경우 당사로 연락바람

MS ENG. 20KG/CM² EMERGENCY SHUT-OFF VALVE

MODEL NO:WEV-4122(L.P.G), WEV-4222(NH₃)



■ MATERIAL

NO.	PART NAME	MATERIAL	NO.	PART NAME	MATERIAL
1	BODY	SCPH2	18	SPRING WASHER	STS 304
2	BONNET CAP	SS 41	19	NUT	STS 304
3	CYLINDER	SCS13A	20	FUSE METAL	C3604B/Pb
4	CYLINDER CAP	SCS13A	21	BUSH	C3604B
5	PISTON	C3604B	22	CAP	P.V.C
6	BONNET	S45C	23	NAME PLATE	STS 304
7	SPINDLE	STS 304	24	O-RING	N.B.R
8	BUSH DISK	C3604B	25	O-RING	N.B.R
9	SPRING	STS 304	26	O-RING	N.B.R
10	SPRING DISK	STS 304	27	O-RING	N.B.R
11	VALVE DISK	STS 304	28	O-RING	VITON
12	WASHER	STS 304	29	O-RING	VITON
13	VALVE SEAT	P. T.F.E	30	PACKING	P.T.F.E
14	BACK SEAT	P. T.F.E	31	SET SCREW	STS 304
15	NYLON NUT	STS 304	32	STUD BOLT	S45C
16	GASKET	ASBESTOS	33	NUT	S25C
17	WASHER	STS 304	34	SPRING WASHER	SUP6

■ SPECIFICATION

- Application : It is operated by air pressure when emergency situation happens.
- Hydrostatic test pressure : 2.94MPa
- Pneumatic test pressure : 1.96MPa
- Pneumatic cylinder working pressure : 0.29 ~ 0.49MPa
- Pneumatic connector : PT 1/4"
- Melting temperature of fuse metal : 75°C
- Fluid : L.P.G, NG, NH₃

■ DIMENSION

unit : mm

SIZE	H	L	d	C	D	t	f	n - øh
65A	275	292	65	140	175	18	2	8-19
80A	320	318	80	160	200	20	2	8-23
100A	390	356	100	185	225	22	2	8-23

※ Remark 1. Material is to be changed in case of NH₃
2. Please contact us when applying for other gases

※참고 1. 암모니아용일 경우 일부 재질을 변경함
2. 다른 가스 용도로 사용할 경우 당사로 연락바람.